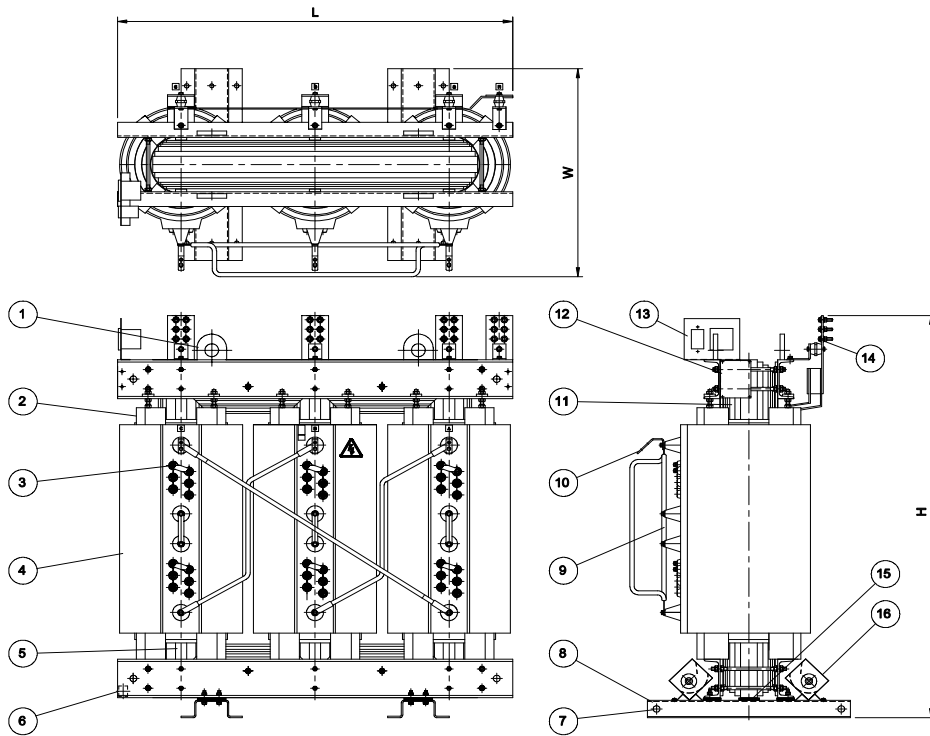


## TECHNICAL DATA OF DRY TYPE CAST RESIN THREE PHASE TRANSFORMER WITHOUT ENCLOSURE (IPOO)



Item	Description
1	Lifting lug
2	LV & HV supporter
3	Tapping
4	LV & HV coil winding
5	Tie bars
6	Earthing terminal
7	Pulling eye
8	Base
9	HV connection bar
10	HV connection terminal
11	Core
12	Name plate
13	Temperature relay TR42
14	LV connection bar
15	Anti vibration pad
16	Cooling fan

### Rated primary voltage : 22kV, 12/24kV, 24kV

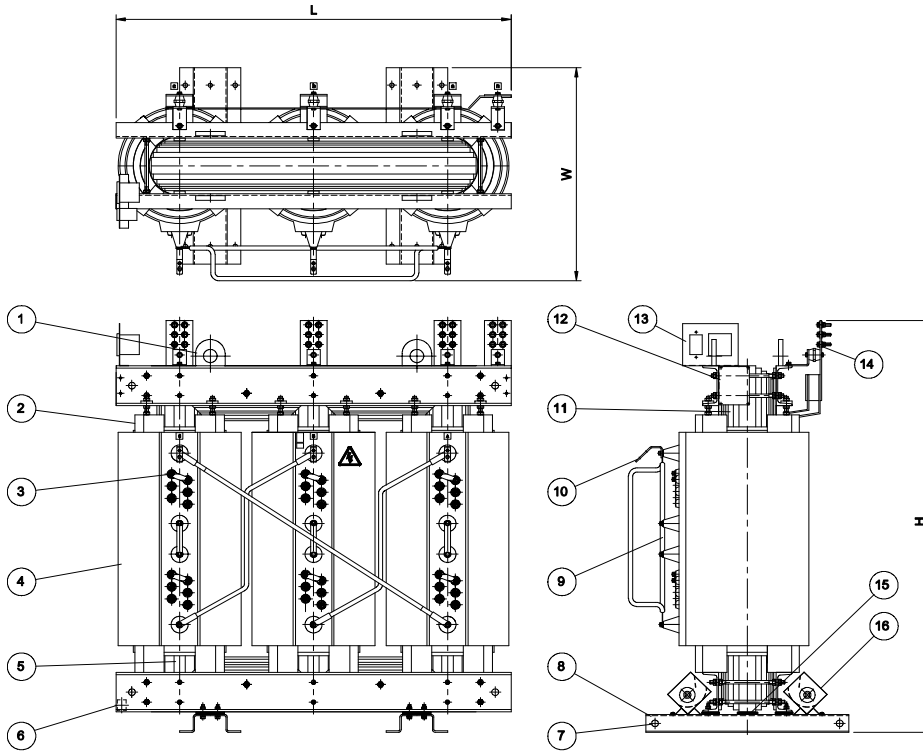
CAPACITY (kVA)	NO-LOAD LOSSES (+15%) (Watt)	LOAD LOSSES AT 75 °C (+15%) (Watt)	TOTAL LOSSES AT 75 °C (+10%) (Watt)	IMPEDANCE AT 75 °C (+/-10%) (%)	EFFICIENCY (P.F.=1)		VOLTAGE REGULATION AT FULL LOAD (P.F.=1) (%)	NOISE LEVEL dB (A) : 1 m	OUTLINE DIMENSION Approx.(mm.)			TOTAL WEIGHT Approx. (kg)
					½ Load (%)	Full Load (%)			W	L	H	
500	1650	5900	7550	4.0	98.77	98.51	1.25	60	1015	1540	1700	2220
630	1960	6900	8860	4.0	98.84	98.61	1.17	62	1060	1500	1850	2250
800	2300	8300	10600	6.0	98.92	98.69	1.21	64	1080	1620	1920	2300
1000	2660	9600	12260	6.0	99.00	98.79	1.14	64	1100	1770	1850	3320
1250	3100	11800	14900	6.0	99.04	98.82	1.12	65	1100	1800	2100	4010
1600	3800	14000	17800	6.0	99.10	98.90	1.05	66	1150	1890	2200	4700
2000	5000	17000	22000	6.0	99.08	98.91	1.03	66	1200	1960	2250	5480
2500	5800	20000	25800	6.0	99.14	98.98	0.98	68	1200	2020	2550	6520
3000	6400	23000	29400	6.0	99.20	99.03	0.94	68	1250	2130	2700	7650

**Note :**

1. The transformer is designed to operate under the following conditions
  - Altitude : Up to 1000 m above sea level
  - Ambient air temperature : 40 °C maximum
2. Limits of temperature rise (winding) : 100 °C maximum
3. Insulation class : F
4. Connection symbol : Dyn 11
5. Reference standard : IEC 60076-11
6. Special vector group, other primary voltage and overload capability available upon request

The contents and specifications of this datasheet are subject to change without prior notice. No part of this data may be reproduced without the prior approval of Thai Maxwell Electric.

## TECHNICAL DATA OF DRY TYPE CAST RESIN THREE PHASE TRANSFORMER WITHOUT ENCLOSURE (IP00)



Item	Description
1	Lifting lug
2	LV & HV supporter
3	Tapping
4	LV & HV coil winding
5	Tie bars
6	Earthing terminal
7	Pulling eye
8	Base
9	HV connection bar
10	HV connection terminal
11	Core
12	Name plate
13	Temperature reley TR42
14	LV connection bar
15	Anti vibration pad
16	Cooling fan

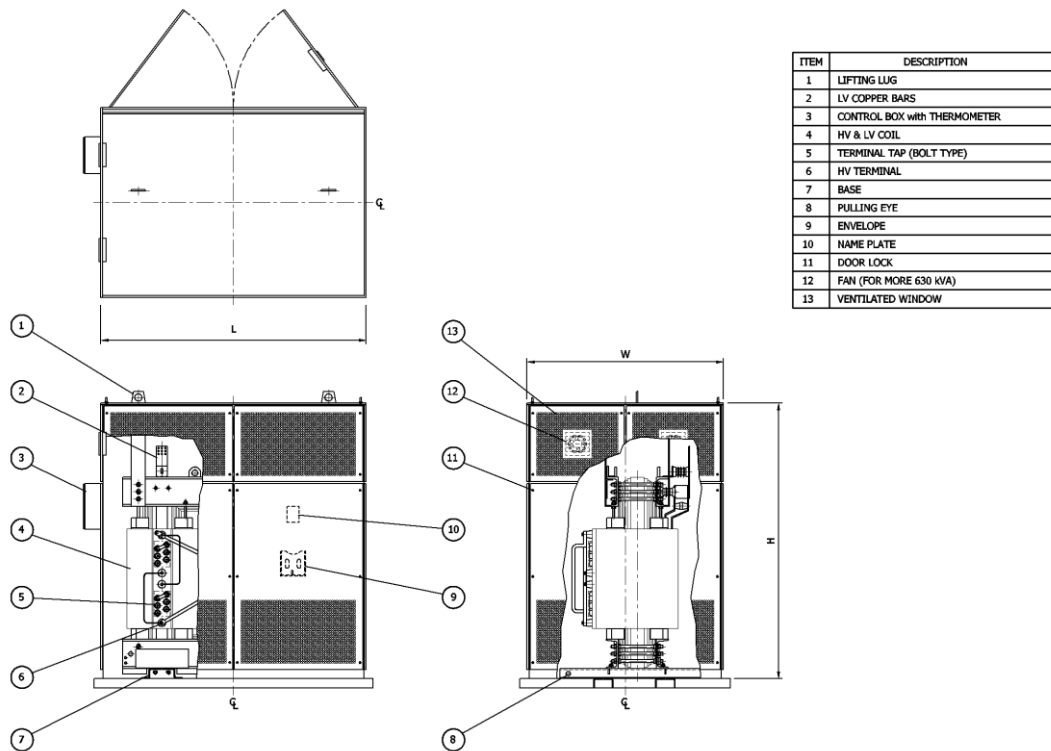
### Rated primary voltage : 33kV

CAPACITY (kVA)	NO-LOAD LOSSES (+15%) (Watt)	LOAD LOSSES AT 75 °C (+15%) (Watt)	TOTAL LOSSES AT 75 °C (+10%) (Watt)	IMPEDANCE AT 75 °C (+/-10%) (%)	EFFICIENCY (P.F.=1)		VOLTAGE REGULATION AT FULL LOAD (P.F.=1) (%)	NOISE LEVEL dB (A) : 1 m	OUTLINE DIMENSION Approx.(mm.)			TOTAL WEIGHT Approx. (kg)
					1/2 Load (%)	Full Load (%)			W	L	H	
500	2300	6000	8300	4.0	98.50	98.37	1.27	60	1150	1760	1820	2770
630	2650	7000	9650	4.0	98.62	98.49	1.18	62	1150	1770	1930	3160
800	3100	8200	11300	6.0	98.73	98.61	1.20	64	1170	1900	1970	3460
1000	3600	9500	13100	6.0	98.82	98.71	1.13	64	1200	1940	2000	3870
1250	4100	11000	15100	6.0	98.92	98.81	1.06	65	1200	1980	2270	4150
1600	5200	12700	17900	6.0	98.96	98.89	0.97	66	1250	2100	2380	5580
2000	6250	15400	21650	6.0	99.00	98.93	0.95	66	1250	2180	2450	6550
2500	6750	18700	25450	6.0	99.09	98.99	0.93	68	1300	2280	2600	7750
3000	7200	22000	29200	6.0	99.16	99.04	0.91	68	1310	2310	2850	8690

#### Note :

- The transformer is designed to operate under the following conditions
  - Altitude : Up to 1000 m above sea level
  - Ambient air temperature : 40 °C maximum
- Limits of temperature rise (winding) : 100 °C maximum
- Insulation class : F
- Connection symbol : Dyn 11
- Reference standard : IEC 60076-11
- Special vector group, other primary voltage and overload capability available upon request

## TECHNICAL DATA OF DRY TYPE CAST RESIN THREE PHASE TRANSFORMER WITH ENCLOSURE (IP21)



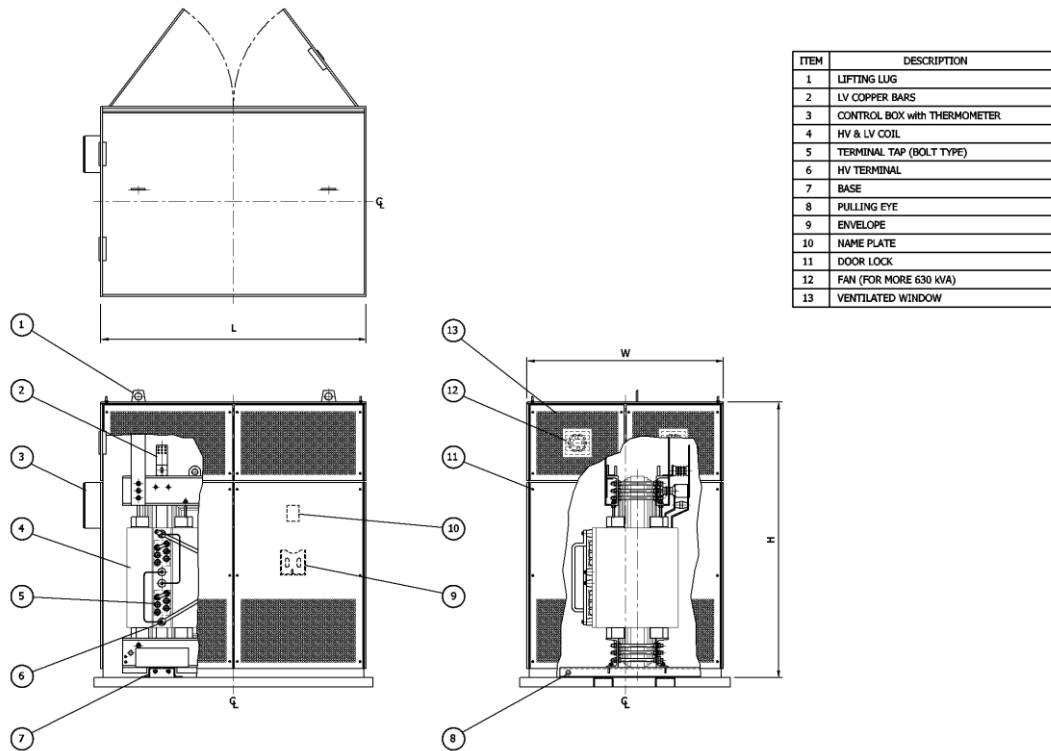
### Rated primary voltage : 22kV, 12/24kV, 24kV

CAPACITY	NO-LOAD LOSSES (+15%)	LOAD LOSSES AT 75 °C (+15%)	TOTAL LOSSES AT 75 °C (+10%)	IMPEDANCE AT 75 °C (+/-10%)	EFFICIENCY (P.F.=1)		VOLTAGE REGULATION AT FULL LOAD (P.F.=1)	OUTLINE DIMENSION Approx.(mm.)			TOTAL WEIGHT Approx.
					1/2 Load (%)	Full Load (%)		W	L	H	
(kVA)	(Watt)	(Watt)	(Watt)	(%)			(%)	W	L	H	(kg)
500	1650	5900	7550	4.0	98.77	98.51	1.25	1600	2430	2100	2320
630	1960	6900	8860	4.0	98.84	98.61	1.17	1650	2380	2250	2700
800	2300	8300	10600	6.0	98.92	98.69	1.21	1650	2480	2370	2750
1000	2660	9600	12260	6.0	99.00	98.79	1.14	1700	2670	2350	4000
1250	3100	11800	14900	6.0	99.04	98.82	1.12	1750	2700	2600	4750
1600	3800	14000	17800	6.0	99.10	98.90	1.05	1750	2800	2700	5450
2000	5000	17000	22000	6.0	99.08	98.91	1.03	1800	2860	2750	6250
2500	5800	20000	25800	6.0	99.14	98.98	0.98	1850	2920	3050	7350
3000	6400	23000	29400	6.0	99.20	99.03	0.94	1850	3030	3150	8450

#### Note :

1. The transformer is designed to operate under the following conditions
  - Altitude : Up to 1000 m above sea level
  - Ambient air temperature : 40 °C maximum
2. Limits of temperature rise (winding) : 100 °C maximum
3. Insulation class : F
4. Connection symbol : Dyn 11
5. Reference standard : IEC 60076-11
6. Special vector group, other primary voltage and overload capability available upon request

## TECHNICAL DATA OF DRY TYPE CAST RESIN THREE PHASE TRANSFORMER WITH ENCLOSURE (IP21)



### Rated primary voltage : 33kV

CAPACITY	NO-LOAD LOSSES (+15%)	LOAD LOSSES AT 75 °C (+15%)	TOTAL LOSSES AT 75 °C (+10%)	IMPEDANCE AT 75 °C (+/-10%)	EFFICIENCY (P.F.=1)		VOLTAGE REGULATION AT FULL LOAD (P.F.=1)	OUTLINE DIMENSION Approx.(mm.)			TOTAL WEIGHT Approx.
					1/2 Load (%)	Full Load (%)		W	L	H	
(kVA)	(Watt)	(Watt)	(Watt)	(%)			(%)	W	L	H	(kg)
500	2300	6000	8300	4.0	98.50	98.37	1.27	1900	2830	2320	3500
630	2650	7000	9650	4.0	98.62	98.49	1.18	1900	2840	2430	3900
800	3100	8200	11300	6.0	98.73	98.61	1.20	1950	2970	2470	4200
1000	3600	9500	13100	6.0	98.82	98.71	1.13	1950	3000	2500	4600
1250	4100	11000	15100	6.0	98.92	98.81	1.06	1950	3050	2770	4900
1600	5200	12700	17900	6.0	98.96	98.89	0.97	2000	3170	2880	6400
2000	6250	15400	21650	6.0	99.00	98.93	0.95	2050	3250	2950	7400
2500	6750	18700	25450	6.0	99.09	98.99	0.93	2050	3350	3100	8650
3000	7200	22000	29200	6.0	99.16	99.04	0.91	2100	3380	3350	9600

**Note :**

1. The transformer is designed to operate under the following conditions
  - Altitude : Up to 1000 m above sea level
  - Ambient air temperature : 40 °C maximum
2. Limits of temperature rise (winding) : 100 °C maximum
3. Insulation class : F
4. Connection symbol : Dyn 11
5. Reference standard : IEC 60076-11
6. Special vector group, other primary voltage and overload capability available upon request

The contents and specifications of this datasheet are subject to change without prior notice. No part of this data may be reproduced without the prior approval of Thai Maxwell Electric.