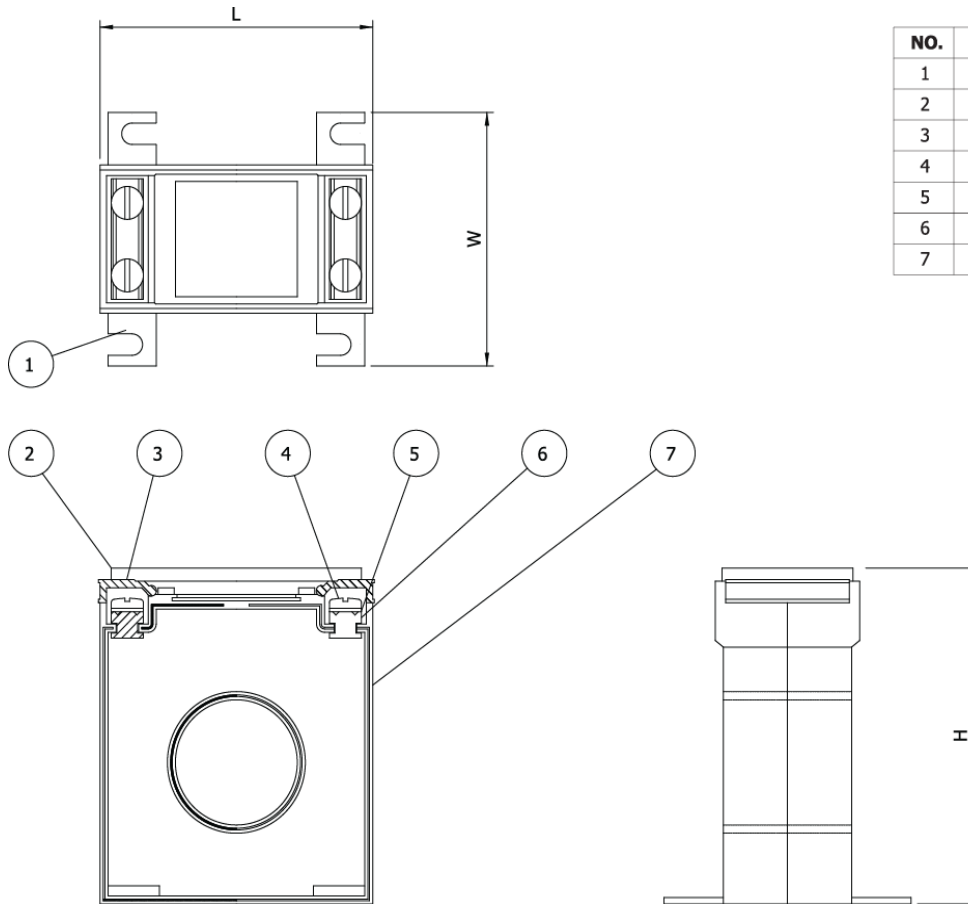


TECHNICAL DATA OF LV PLASTIC CASING WINDOW/RING TYPE CURRENT TRANSFORMER (INDOOR TYPE)



NO.	DESCRIPTION
1	BASE
2	NAME PLATE COVER
3	TERMINAL COVER
4	BOLT M5x0.8
5	PLANT WASHER M5
6	TERMINAL
7	HOUSING

Rated voltage series 0.72 kV

RATED OUTPUT (BURDEN)	PRIMARY CURRENT	SECONDARY CURRENT	ACCURACY CLASS	OUTLINE DIMENSION (Maximum in mm.)			TOTAL WEIGHT (Maximum)
				W	L	H	
(VA)	(A)	(A)	(%)				(kg)
5	100 - 400	5	0.5	73	85	101	1

Note :

1. The transformer is designed to operated under the following conditions
 - Altitude : up to 1,000 m above sea level
 - Ambient air temperature : 40 °C maximum
2. Limits of temperature rise (winding) : not exceeding 60 °C
3. Insulation Class : E (120 °C)
4. Reference standard : DIN 42600, VDE 0414, IEC 60044-1

The contents and specifications of this datasheet are subject to change without prior notice. No part of this data may be reproduced without the prior approval of Thai Maxwell Electric.