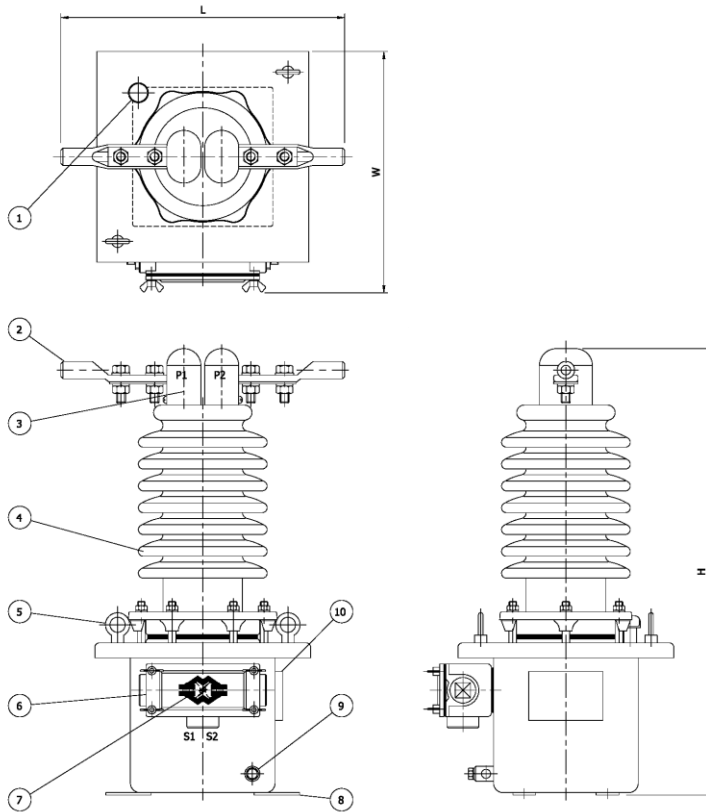


## TECHNICAL DATA OF MV OIL IMMERSED CURRENT TRANSFORMER (OUTDOOR TYPE)



| Item | Description            |
|------|------------------------|
| 1    | Oil filling cap        |
| 2    | Terminal pad connector |
| 3    | Bird guard             |
| 4    | HV bushing             |
| 5    | Lifting eyes           |
| 6    | LV cable box           |
| 7    | LV bushing             |
| 8    | Base                   |
| 9    | Ground terminal        |
| 10   | Name plate             |

| DESCRIPTION                                     |       | TYPE                          |                 |
|---|-------|-------------------------------|-----------------|
|   |       | 24                            | 36              |
| Highest system voltage                          | kV    | 24                            | 36              |
| Rated power-frequency withstand voltage (1 min) | kVrms | 50                            | 70              |
| Rated Impulse test voltage (1.2/50µs) full wave | kVp   | 125                           | 170             |
| Rated frequency                                 | Hz    | 50, 60                        |                 |
| Rated output                                    | VA    | 15 - 500                      |                 |
| Rated primary current                           | A     | 10 - 500                      |                 |
| Rated secondary current                         | A     | 1 or 5                        |                 |
| Accuracy class                                  |       | 0.2 - 3.0 and/or 5P10 - 10P20 |                 |
| Insulation class                                |       | A (105 °C)                    |                 |
| Ambient temperature (Maximum)                   | °C    | 40                            |                 |
| Temperature rise of winding (Maximum)           | °C    | 60                            |                 |
| Standard  |       | IEC 60044-1                   |                 |
| Weight  | kgs   | 29                            | 40              |
| <b>DIMENSION :</b>                              |       |                               |                 |
| - W x L x H                                     | mm    | 330 x 510 x 640               | 330 x 510 x 740 |

\* Specifications and product design are subject to change without notice for further improvement

The contents and specifications of this datasheet are subject to change without prior notice. No part of this data may be reproduced without the prior approval of Thai Maxwell Electric.