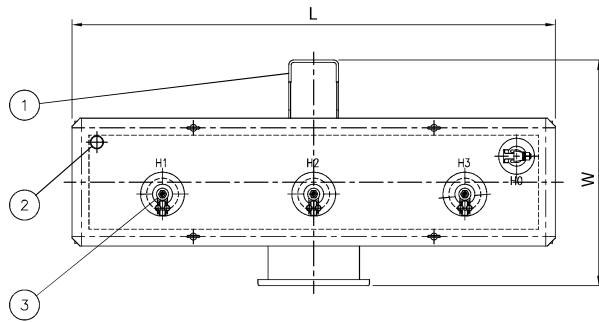
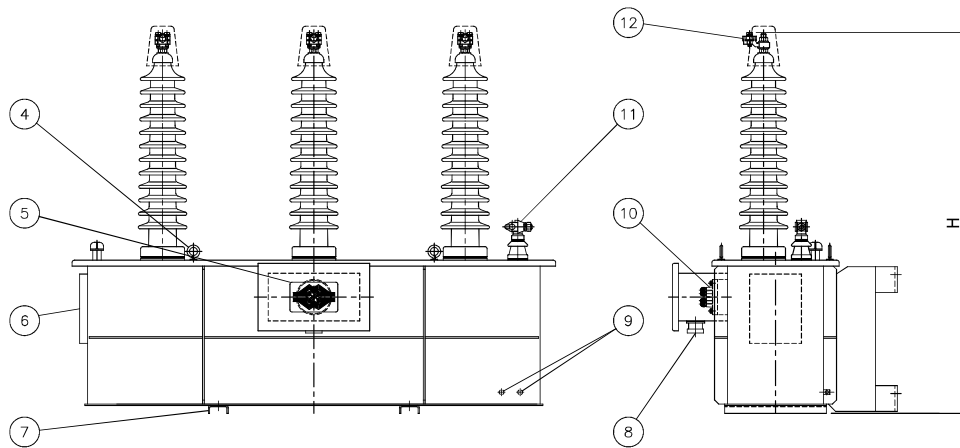


TECHNICAL DATA OF MV 3 PHASE OIL IMMERSSED VOLTAGE TRANSFORMER (OUTDOOR TYPE)



No.	Description
1	Support lugs
2	Oil filling cap
3	HV bushing with insulation cap
4	Lifting eyes bolts
5	Trade mark
6	Name plate
7	Base
8	Secondary socket receptacle (male)
9	Earth terminal
10	Secondary voltage with box
11	HV neutral bushing
12	Primary connector



DESCRIPTION		TYPE	
		24	36
Highest system voltage	kV	24	36
Rated power-frequency withstand voltage (1 min)	kVrms	50	70
Rated Impulse test voltage (1.2/50µs) full wave	kVp	125	170
Rated frequency	Hz	50, 60	
Rated output	VA	20 - 500	
Rated primary voltage	kV	22	33
Rated Secondary voltage	V	120/√3, 110/√3, or request	
Accuracy class		0.5, 1.0, 3.0 and/or 3P - 6P	
Rated voltage factor		1.2 for continuous, 1.9/30 sec.	
Insulation class		A (105 °C)	
Ambient temperature (Maximum)	°C	40	
Temperature rise of winding (Maximum)	°C	60	
Standard		IEC 61869-3	
Weight	kgs	50	65
DIMENSION :			
- W x L x H	mm	485 x 1130 x 780	565 x 1215 x 965

* Specifications and product design are subject to change without notice for further improvement

The contents and specifications of this datasheet are subject to change without prior notice. No part of this data may be reproduced without the prior approval of Thai Maxwell Electric.