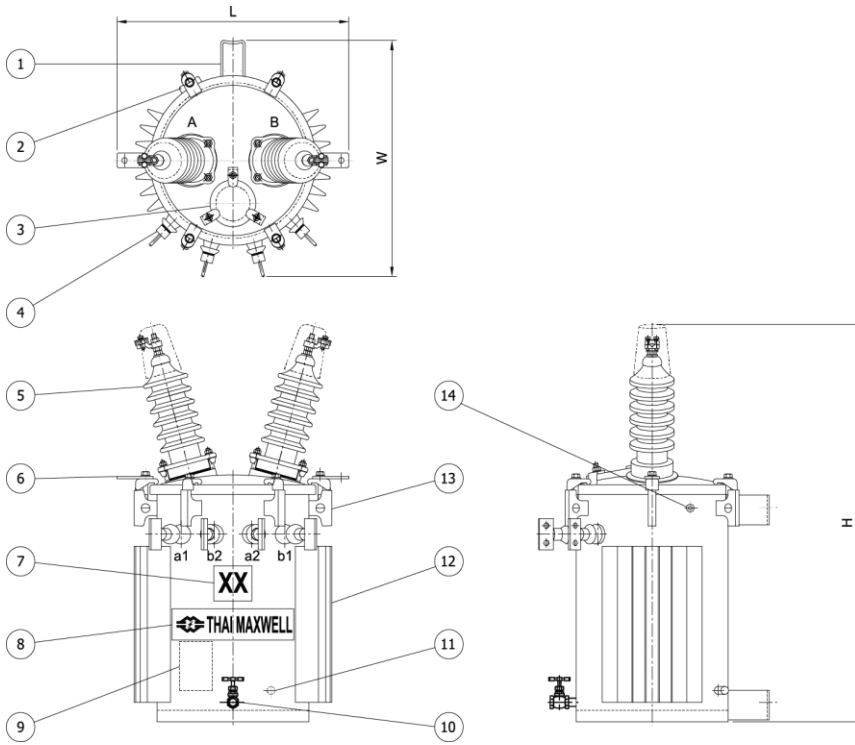


## TECHNICAL DATA OF OIL-IMMERSED HERMETICALLY SEALED SINGLE PHASE TRANSFORMER



No.	DESCRIPTION
1	SUPPORT LUGS (TYPE A)
2	OFF-LOAD TAP CHANGER
3	HAND HOLE
4	LV BUSHING
5	HV BUSHING WITH INSULATION CAP
6	ARRESTER MOUNTING PROVISION
7	CAPACITY PLATE
8	COMPANY PLATE
9	NAME PLATE
10	OIL DRAIN VALVE WITH PLUG
11	EARTH TERMINAL
12	AIR CORRUGATED FIN
13	LIFTING LUGS
14	EARTH TERMINAL FOR LIGHTNING ARRESTER

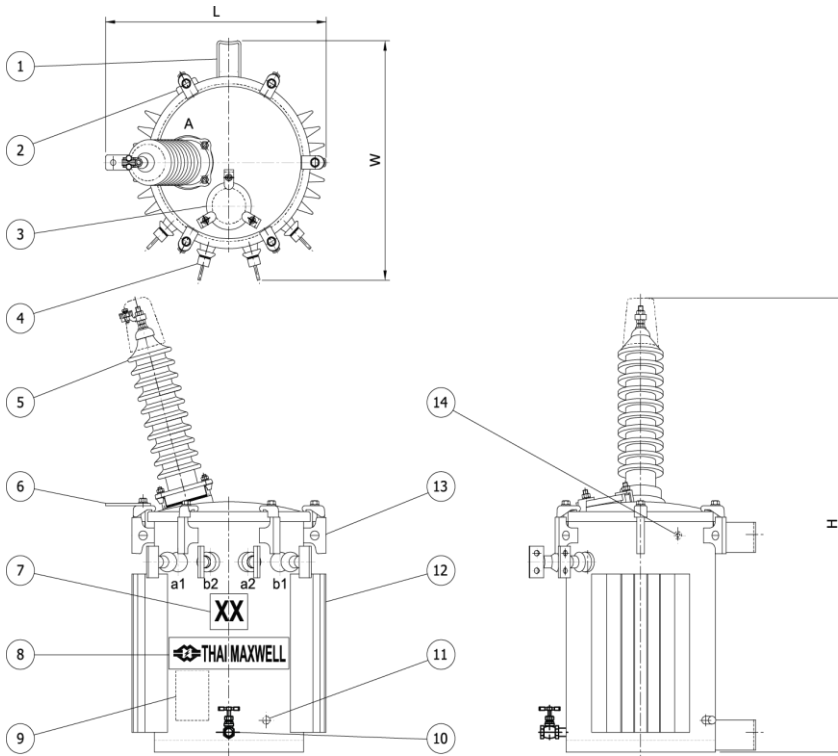
### Rated primary voltage : 22kV

CAPACITY (kVA)	NO-LOAD LOSSES (Watt)	LOAD LOSSES AT 75 °C (Watt)	TOTAL LOSSES AT 75 °C (Watt)	IMPEDANCE AT 75 °C (%)	EFFICIENCY (P.F.=1)		VOLTAGE REGULATION AT FULL LOAD (P.F.=1) (%)	NOISE LEVEL dB (A) : 0.3 m	OUTLINE DIMENSION Approx.(mm.)			OIL QTY. (lt)	TOTAL WEIGHT Approx. (kg)
					1/2 Load (%)	Full Load (%)			W	L	H		
30	120	430	550	2.0	98.51	98.20	1.44	48	625	520	1000	48	220
50	150	670	820	2.2	98.75	98.39	1.36	51	700	570	1150	118	305

#### Note :

- The transformer is designed to operate under the following conditions
  - Altitude : Up to 1000 m above sea level
  - Ambient air temperature : 40 °C maximum
- Limits of temperature rise
  - (top oil) : not exceeding 55 °C
  - (winding) : not exceeding 65 °C
- Insulation class : A
- Polarity : Subtractive
- Reference standard : IEC 60076
- Special vector group and other primary voltage available upon request

## TECHNICAL DATA OF OIL-IMMERSED HERMETICALLY SEALED SINGLE PHASE TRANSFORMER



No.	DESCRIPTION
1	SUPPORT LUGS (TYPE A)
2	OFF-LOAD TAP CHANGER
3	HAND HOLE
4	LV BUSHING
5	HV BUSHING WITH INSULATION CAP
6	ARRESTER MOUNTING PROVISION
7	CAPACITY PLATE
8	COMPANY PLATE
9	NAME PLATE
10	OIL DRAIN VALVE WITH PLUG
11	EARTH TERMINAL
12	AIR CORRUGATED FIN
13	LIFTING LUGS
14	EARTH TERMINAL FOR LIGHTNING ARRESTER

### Rated primary voltage : 19kV

CAPACITY (kVA)	NO-LOAD LOSSES (Watt)	LOAD LOSSES AT 75 °C (Watt)	TOTAL LOSSES AT 75 °C (Watt)	IMPEDANCE AT 75 °C (%)	EFFICIENCY (P.F.=1)		VOLTAGE REGULATION AT FULL LOAD (P.F.=1) (%)	NOISE LEVEL dB (A) : 0.3 m	OUTLINE DIMENSION Approx.(mm.)			OIL QTY. (lt)	TOTAL WEIGHT Approx. (kg)
					1/2 Load (%)	Full Load (%)			W	L	H		
30	120	430	550	2.0	98.51	98.20	1.44	48	625	520	1000	48	220
50	150	670	820	2.2	98.75	98.39	1.36	51	740	600	1250	126	330

#### Note :

- The transformer is designed to operate under the following conditions
  - Altitude : Up to 1000 m above sea level
  - Ambient air temperature : 40 °C maximum
- Limits of temperature rise
  - (top oil) : not exceeding 55 °C
  - (winding) : not exceeding 65 °C
- Insulation class : A
- Polarity : Subtractive
- Reference standard : IEC 60076
- Special vector group and other primary voltage available upon request