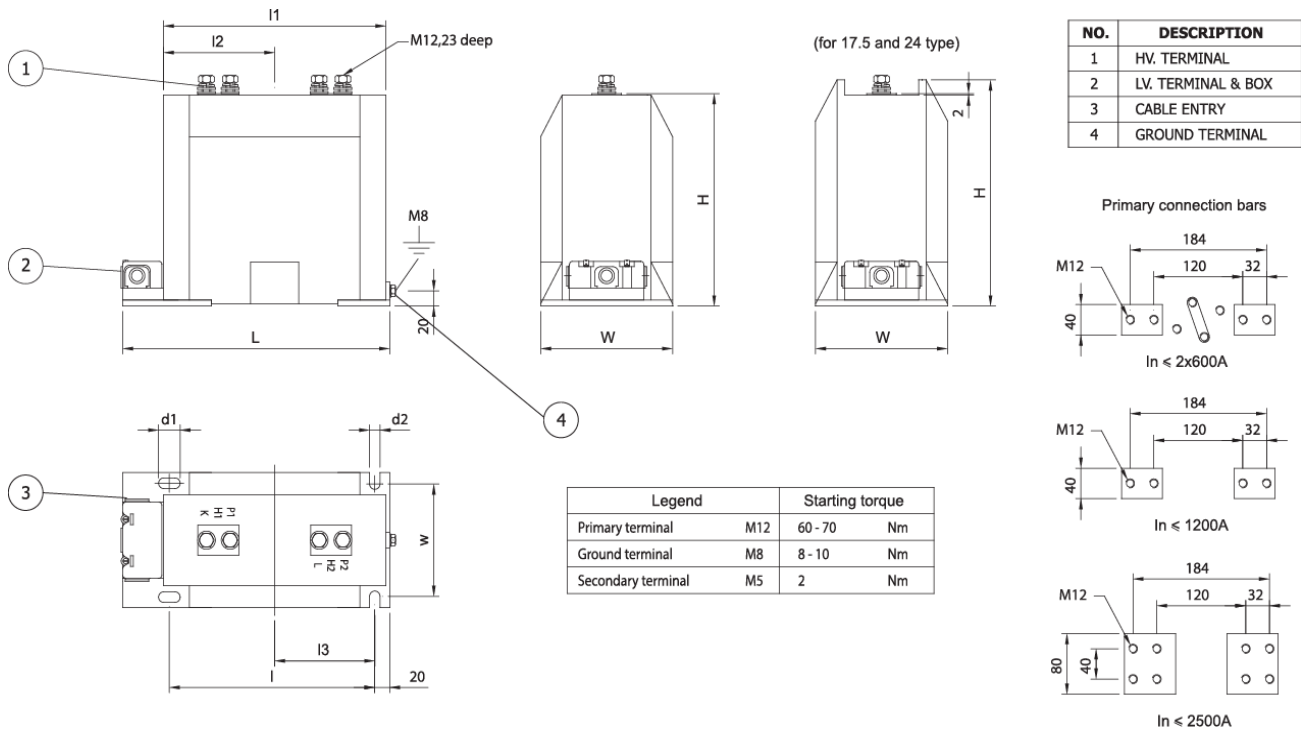


TECHNICAL DATA OF MV CAST RESIN CURRENT TRANSFORMER (INDOOR TYPE)



TYPE		12	17.5	24	36
		up to 2 cores			
Operating voltage (Maximum)	kV	12	17.5	24	36
Rated power-frequency withstand voltage (1 min)	kVrms	28	38	50	70
Rated Impulse test voltage (1.2/50μs) full wave	kVp	75	95	125	170
Rated frequency	Hz	50, 60			
Primary rated current	A	10 - 2500			
Primary reconnection		2 x 10 A - 2 x 600 A			
Secondary rated current	A	1, 5			
Rated short-time thermal current Ith (1s)	kArms	100 (max)			
Rated dynamic current Idyn (1s)		2.5 x Ith			
Insulation class		E (120 °C)			
Ambient temperature (Maximum)		40 °C			
Altitude		up to 1000 m above sea level			
Standard		IEC 60044-1, IEEE C57.13-1993			
Weight	kgs	24 - 30	32 - 40	32 - 40	38 - 48
DIMENSION :					
W x L x H	mm	148 x 350 x 220	178 x 360 x 295	178 x 360 x 295	207 x 360 x 330
		According to DIN 42600, part 8			
w	mm	125	150	150	150
l	mm	270±5.0	280±5.0	280±5.0	280±5.0
l1	mm	290	300	300	300
l2	mm	145	150	150	150
l3	mm	130	135	135	135
d1	mm	21	29	29	29
d2	mm	11	14	14	14

* Specifications and product design are subject to change without notice for further improvement

The contents and specifications of this datasheet are subject to change without prior notice. No part of this data may be reproduced without the prior approval of Thai Maxwell Electric.