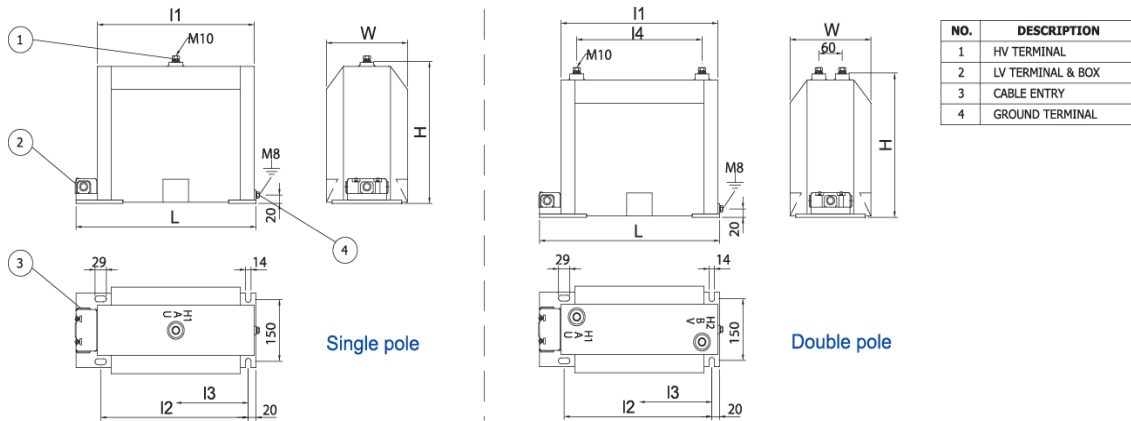


## TECHNICAL DATA OF MV CAST RESIN VOLTAGE TRANSFORMER (INDOOR TYPE)



### Single pole

TYPE		12	17.5	24	36
		up to 2 cores			
Operating voltage (Maximum)	kV	12	17.5	24	36
Rated power-frequency withstand voltage (1 min)	kVrms	28	38	50	70
Rated Impulse test voltage (1.2/50µs) full wave	kVp	75	95	125	170
Rated frequency	Hz	50, 60			
Rated primary voltage	kV	11/√3, 12/√3	15/√3, 17.5/√3	22/√3, 24/√3	33/√3
Secondary voltage	V	100/√3, 110/√3, 120/√3			
Rated burden in class		25 VA			
		50 VA			
		100 VA			
		200 VA			
		150 VA			
		150 VA			
Rated voltage factor		1.2 for continuous			
Insulation class		E (120 °C)			
Ambient temperature (Maximum)		40 °C			
Altitude		not exceed 1000 m			
Standard		IEC 60044-2, IEEE C57.13-1993			
Weight	kgs	28 - 35	31 - 39	33 - 40	39 - 49
	W x L x H	178 x 360 x 280	178 x 360 x 280		207 x 460 x 340
			According to DIN 42600, part 8		
	I1	mm	300		400
	I2	mm	280±5.0		380±5.0
	I3	mm	135		185

### Double pole

Operating voltage (Maximum)	kV	12	17.5	24	36
Rated power-frequency withstand voltage (1 min)	kVrms	28	38	50	70
Rated Impulse test voltage (1.2/50µs) full wave	kVp	75	95	125	170
Rated frequency	Hz	50, 60			
Rated primary voltage	kV	11, 12	15, 17.5	22, 24	33
Secondary voltage	V	100, 110, 120			
Rated burden in class		25 VA			
		50 VA			
		100 VA			
		200 VA			
		150 VA			
		150 VA			
Rated voltage factor		1.2 for continuous			
Insulation class		E (120 °C)			
Ambient temperature (Maximum)		40 °C			
Altitude		not exceed 1000 m			
Standard		IEC 60044-2, IEEE C57.13-1993			
Weight	kgs	28 - 35	31 - 39	33 - 40	39 - 49
	W x L x H	178 x 360 x 285	178 x 360 x 285		207 x 460 x 345
			According to DIN 42600, part 8		
	I1	mm	300		400
	I2	mm	280±5.0		380±5.0
	I3	mm	135		185
	I4	mm	220		320

\* Specifications and product design are subject to change without notice for further improvement