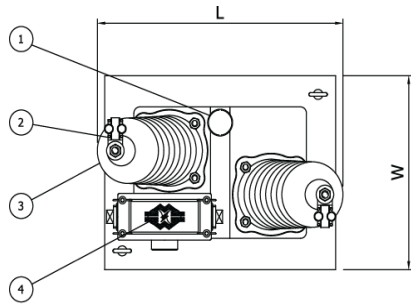
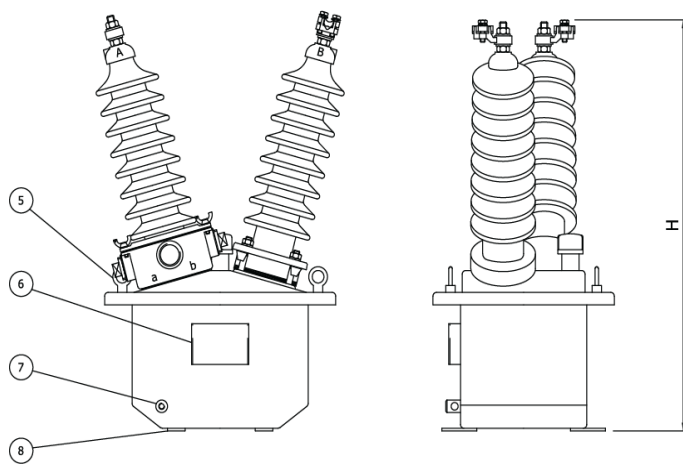


## TECHNICAL DATA OF MV OIL IMMERSED VOLTAGE TRANSFORMER (OUTDOOR TYPE)



NO.	DESCRIPTION
1	OIL FILLING CAP
2	HV TERMINAL CONNECTOR
3	HV BUSHING
4	LV BUSHING WITH CABLE BOX
5	EYES BOLTS
6	NAME PLATE
7	GROUND TERMINAL
8	BASE



### Double pole

DESCRIPTION		TYPE	
		24	36
Highest system voltage	kV	24	36
Rated power-frequency withstand voltage (1 min)	kVrms	50	70
Rated Impulse test voltage (1.2/50µs) full wave	kVp	125	170
Rated frequency	Hz	50, 60	
Rated output	VA	20 - 500	
Rated primary voltage	kV	22	33
Rated Secondary voltage	V	110, 120	
Accuracy class		0.2 - 3.0 and/or 3P - 6P	
Rated voltage factor		1.2 for continuous, 1.5/30 sec.	
Insulation class		A (105 °C)	
Ambient temperature (Maximum)	°C	40	
Temperature rise of winding (Maximum)	°C	60	
Standard		IEC 60044-2	
Weight	kgs	50	65
DIMENSION :			
- W x L x H	mm	300 x 430 x 670	335 x 500 x 850

\* Specifications and product design are subject to change without notice for further improvement